



Smart Pass

Non-contact temperature measurement & face recognition for access control system

Disadvantages of conventional temperature measurement method



Risk of virus infection from short distance

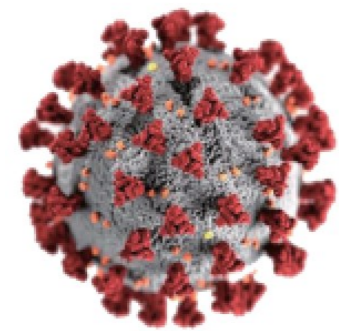


Low efficiency due to manual measurement



Difficult data/record management and overhead cost

Smart Pass Summary



Smart Pass

As wearing a mask becomes more common due to COVID-19, it is a state-of-the-art AI-based face recognition and temperature measurement access control system that accurately recognizes people, thanks to deep learning technologies, even though they cover half of their faces with mask or wear glasses & mask at the same time.

SenseTime (No. 1 in the world) AI-based face recognition technology + Heimann (Germany) IR temperature measurement sensor + Korean manufacturing & software technologies = The Best



“temperature measurement & face recognition” SMART PASS

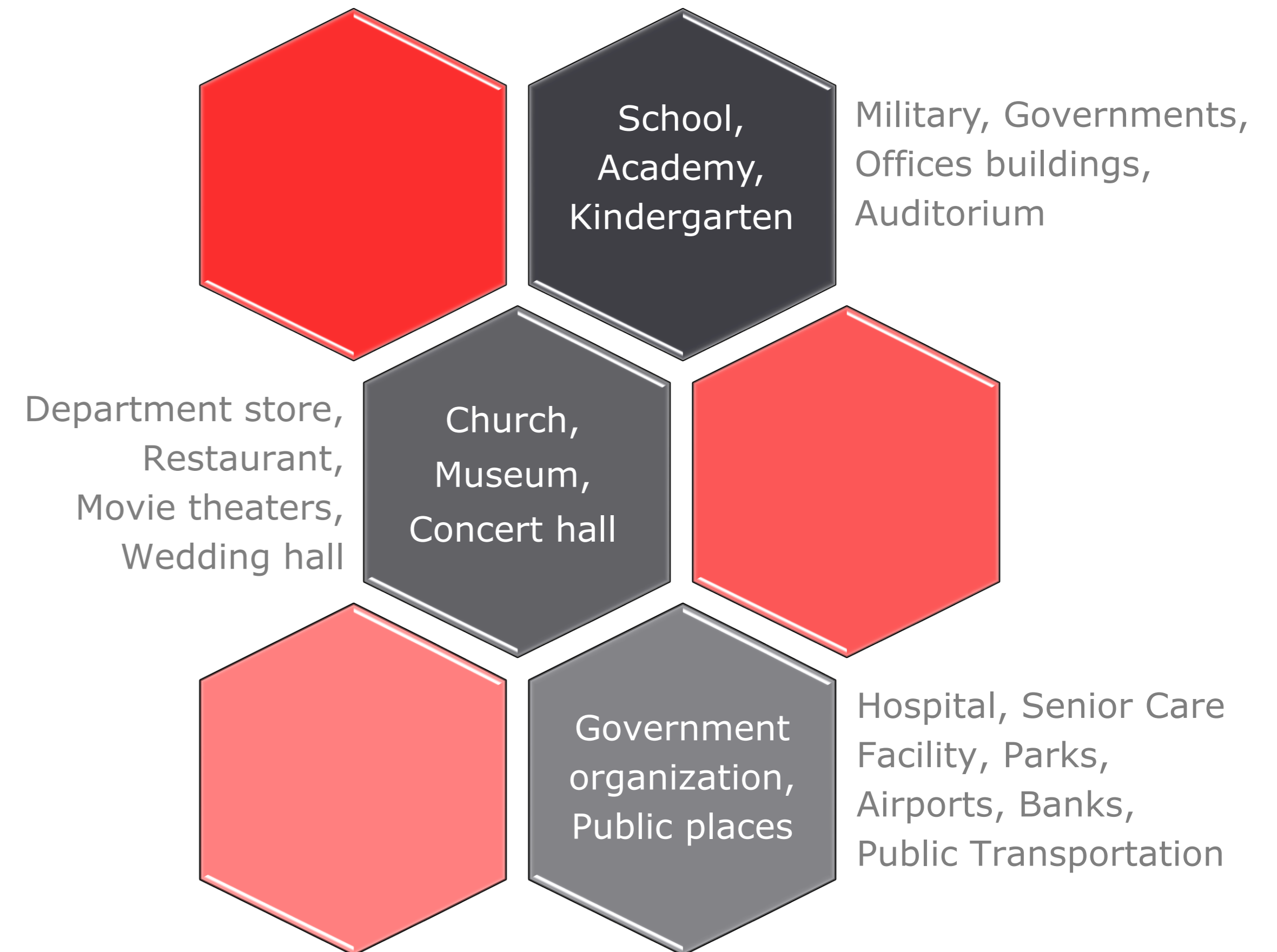


- To determine whether access allowed after temperature measurement (heat detection camera) and face recognition.
- Access will be denied by showing the message “Please wear a mask” if people wear mask only on chin or mouth or don’t wear mask.
- Even if people wear mask, it can accurately recognize face 99% in 0.5 seconds. And access will be denied if body temperature is over 37.5 degrees Celsius (if set to 37.5 degrees).

Smart Pass Summary

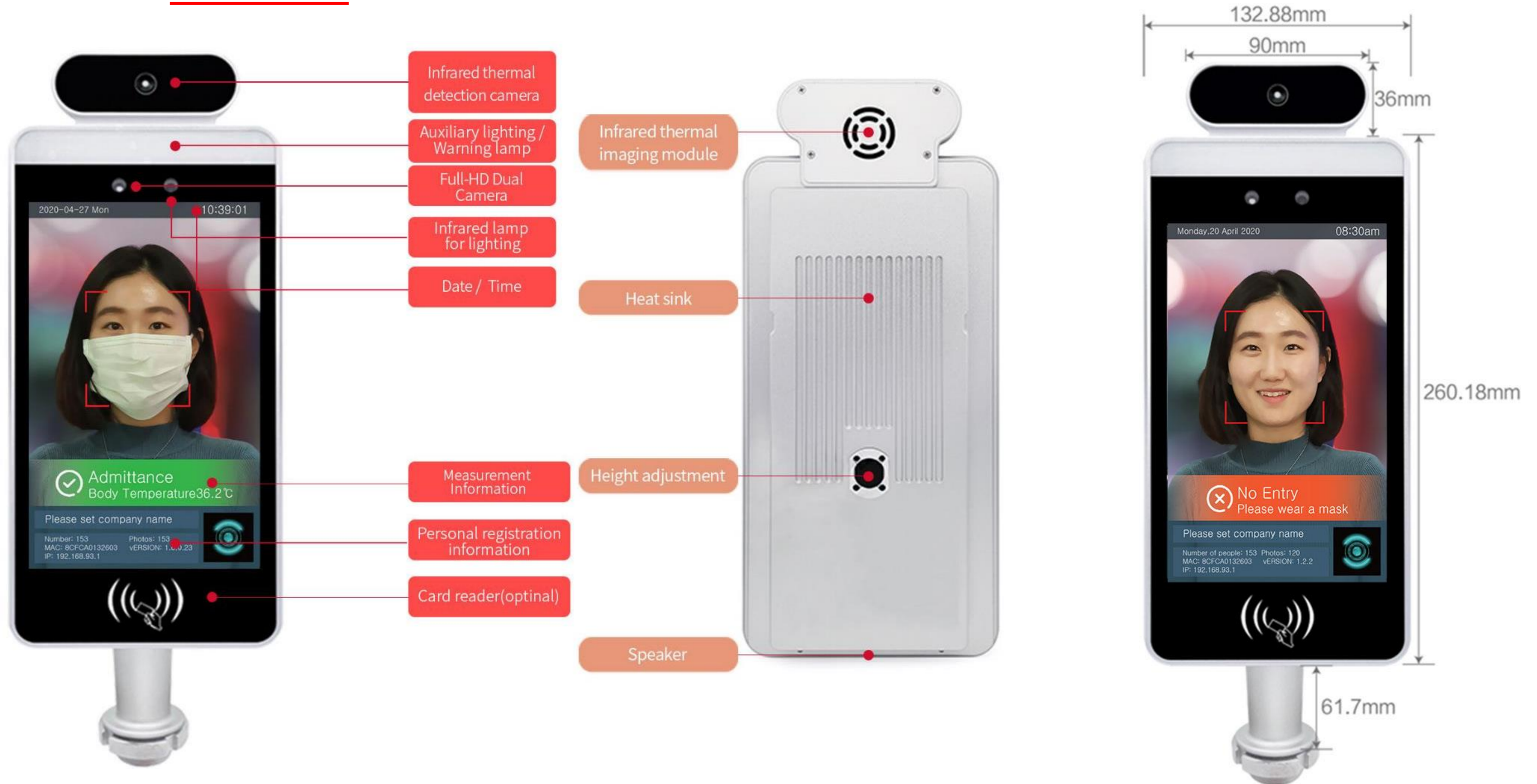
- ◆ **Where to use** – main entrance in densely populated area, installed to effectively prevent epidemics by conducting real-time temperature monitoring of employees, customers, visitors and other personnel.
- ◆ **Features** – precise and accurate temperature measurement sensor, high quality infrared from Heimann using 2 megapixel wide-angle dynamic camera, and adopting world’s No. 1 face recognition AI technologies from SenseTime, it provides detection range from 0.5 meter to 1 meter while measuring temperature at the same time.
- ◆ **Prevention of infection** – after presetting thresholds for high temperature (abnormal), product alarm goes off if measured temperature exceeds preset value. And people with high temperature are not allowed to enter as it warns the risk of infection, effectively protects the health, and improve the epidemic situation.

Where to install



NURIFLEX

Description



Features

- 1
- ↕
- 2
- ↕
- 3
- ↕
- 4
- ↕
- 5
- ↕
- 6
- ↕
- 7
- ↕
- 8
- ↕
- 9
- ↕
- 10
- ↕
- 11

8-Inch IPS FULL-VIEW LCD display

Powerful processor : Rockchip RK3288 Quad Core

Stable and reliable aluminum exterior, waterproof and dustproof design

30,000 face database support

Face comparison recognition rate exceeds 99.7%, liveness detection accuracy rate is 98.3%@1%

Supports accurate face recognition and comparison while wearing a mask

Industrial binocular wide dynamic camera and night infrared and LED double photo floodlight

Optimal distance for temperature measurement is 0.5 meter, max. 1 meter, measurement error ± 0.5 °C

Automatic alarm for abnormal body temperature and guidance when the mask is not worn

Temperature measurement data is exported in real time

Supports various peripheral expansion such as ID card reader, fingerprint reader, IC card reader, 2D code reader

Infrared thermal imaging temperature measurement



▶ Distance : 0.5m (~ 1m)



▶ speed < 1 second



▶ Accuracy $\leq \pm 0.5^{\circ}\text{C}$



▶ Range: $10^{\circ}\text{C}\sim 42^{\circ}\text{C}$
(recommendation
 $15^{\circ}\text{C}\sim 30^{\circ}\text{C}$)



▶ Automatic alarm for
abnormal temperature

Millisecond-accurate face recognition



▶ 30,000 face database support



▶ speed < 1 second



▶ Recognition rate : 99.7%

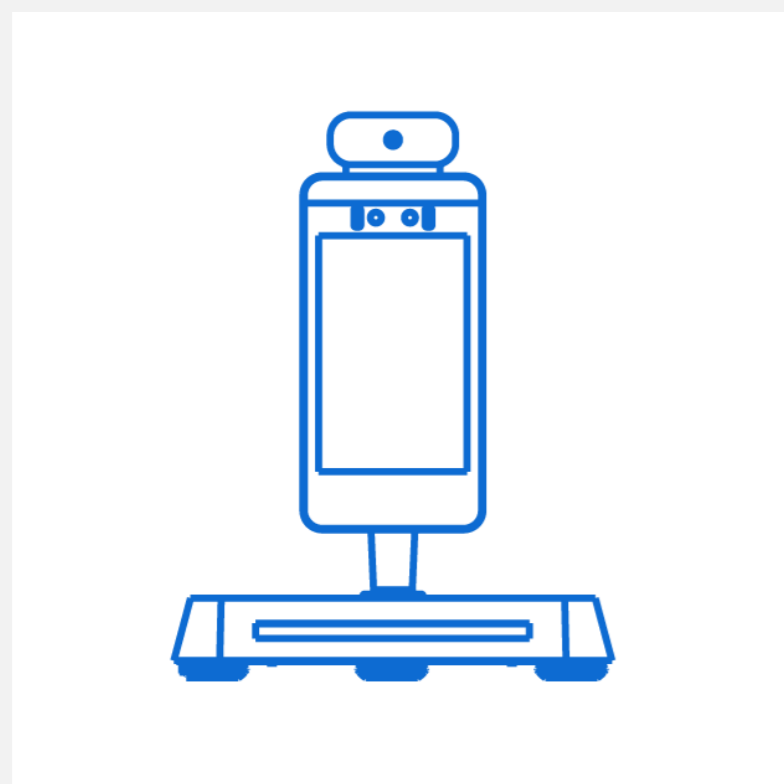


▶ Liveness detection rate : 98.3%



▶ Detection if mask is not worn

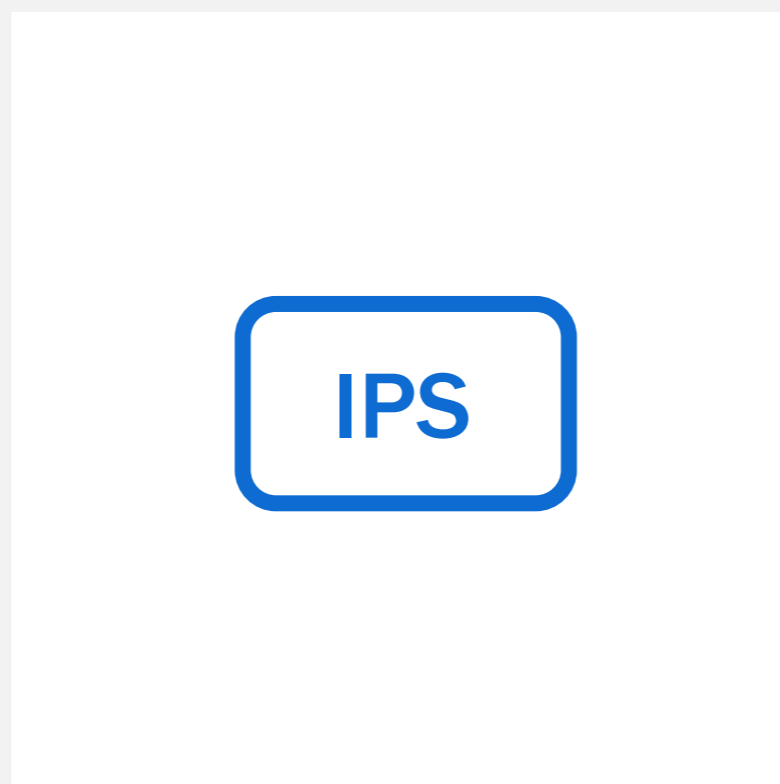
Superior hardware configuration



▶ Stable and reliable aluminum exterior



▶ Built-in heat sink for efficient heat conduction



▶ IPS Full-view LCD



Wide dynamic binocular camera



▶ 30 frames without smear



▶ Data encryption



▶ Built-in dual anti-counterfeiting power camera

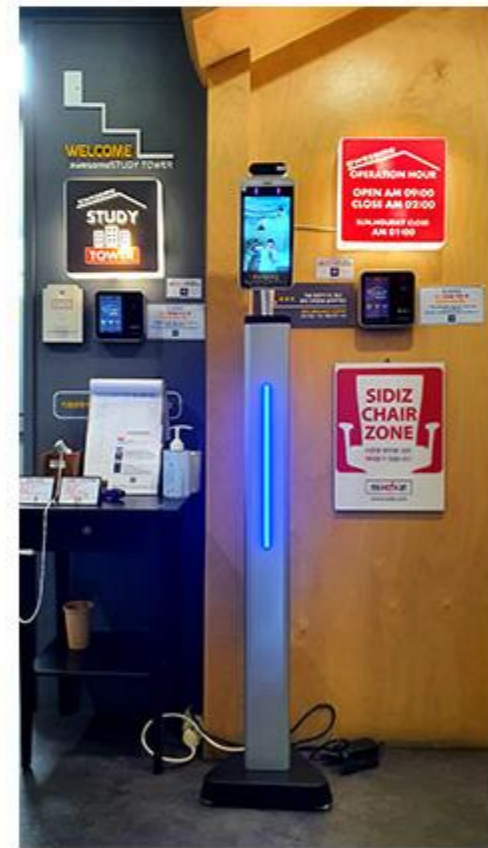


▶ Night infrared LED dual light support

NURIFLEX

Installation

Floor stand



Desk stand



Floor stand
(for child)



Entrance
(gate)

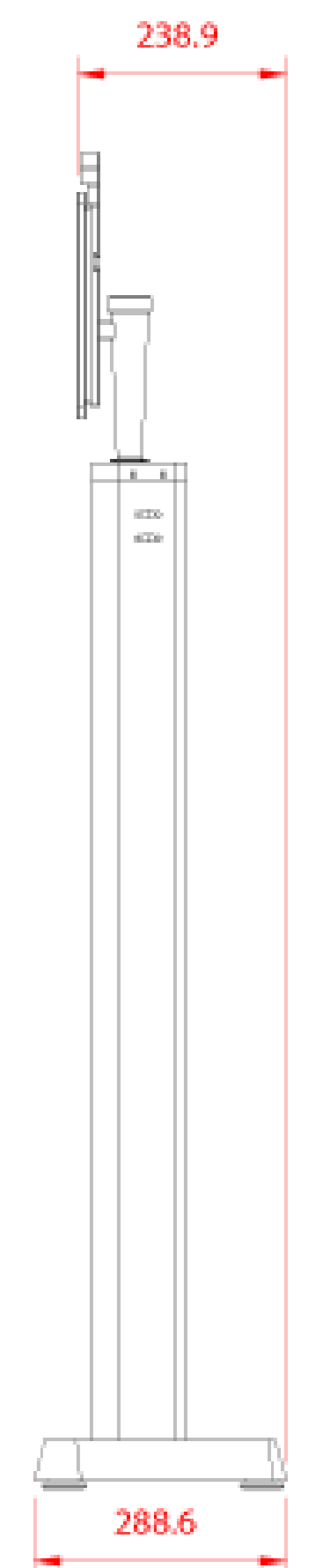
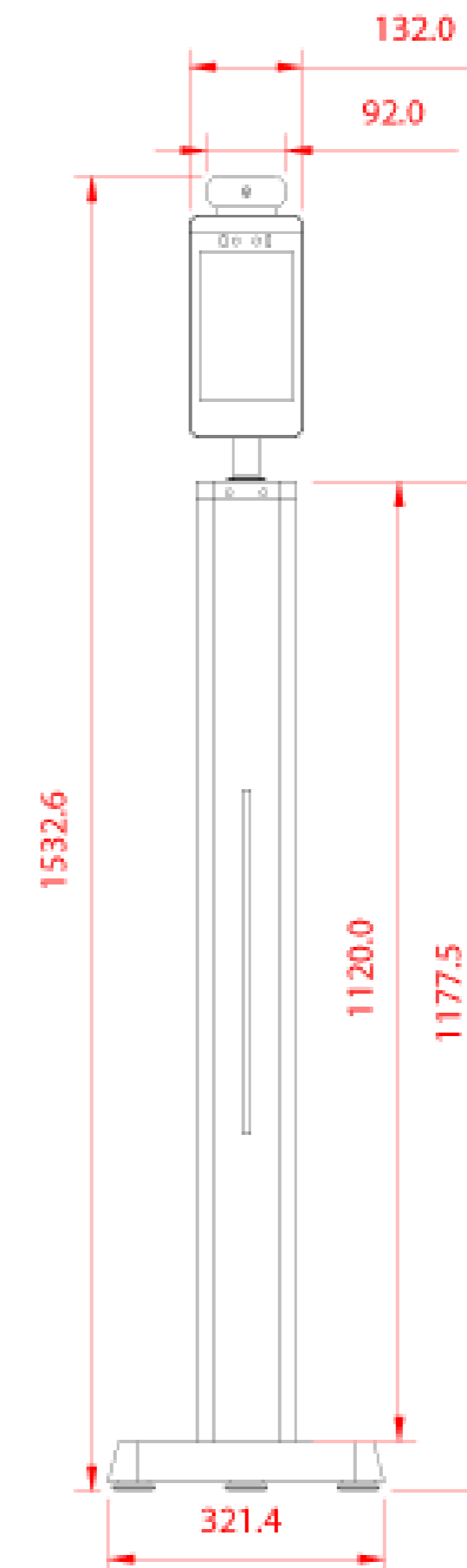
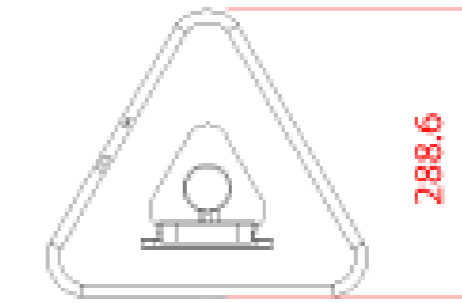


Wall
mounted



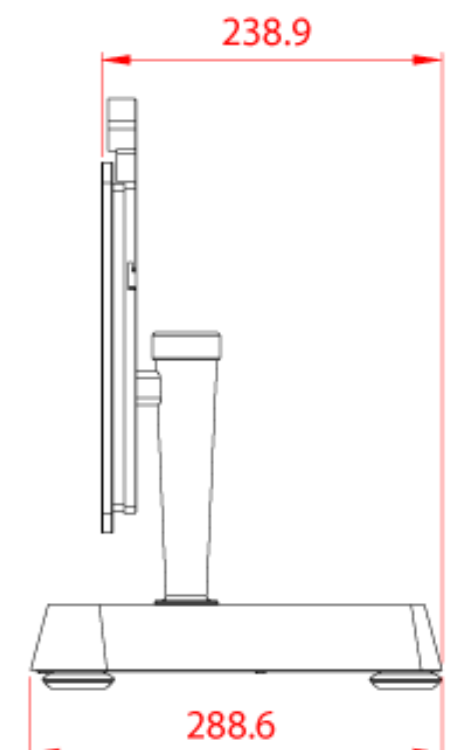
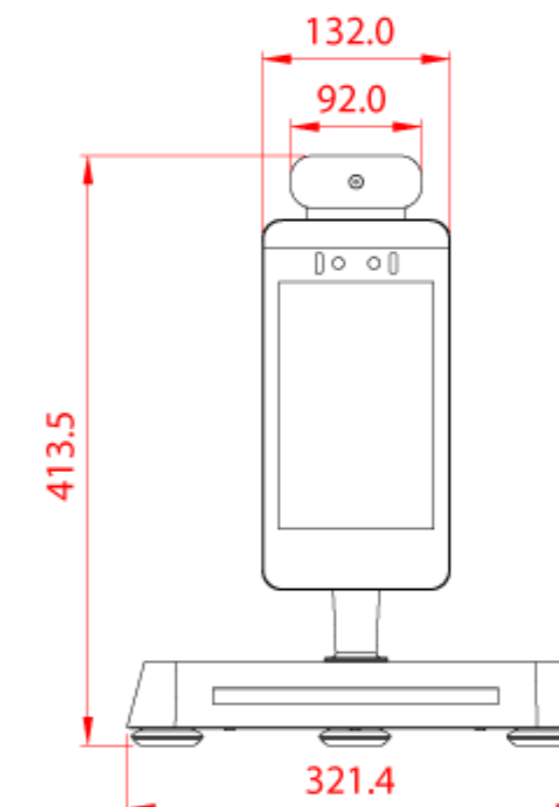
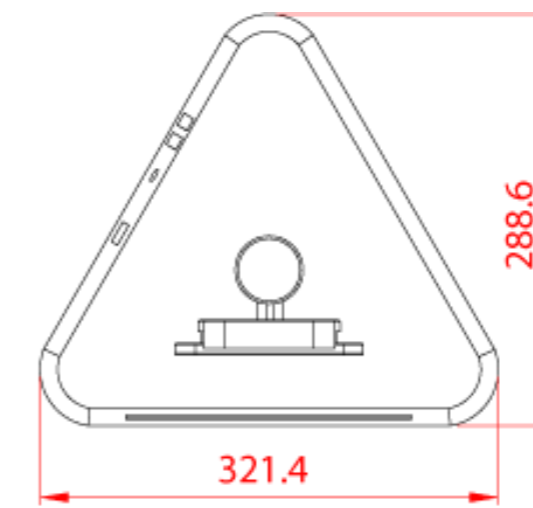
NURIFLEX

Floor stand



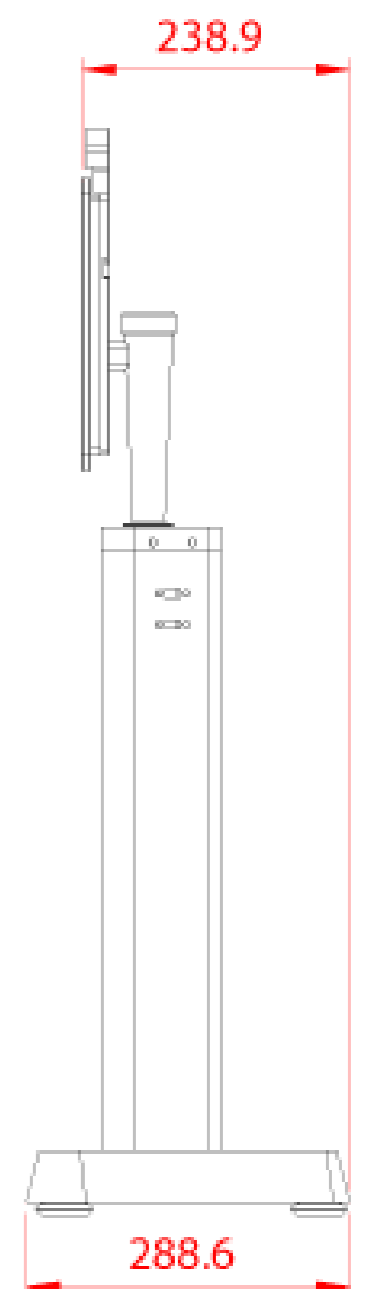
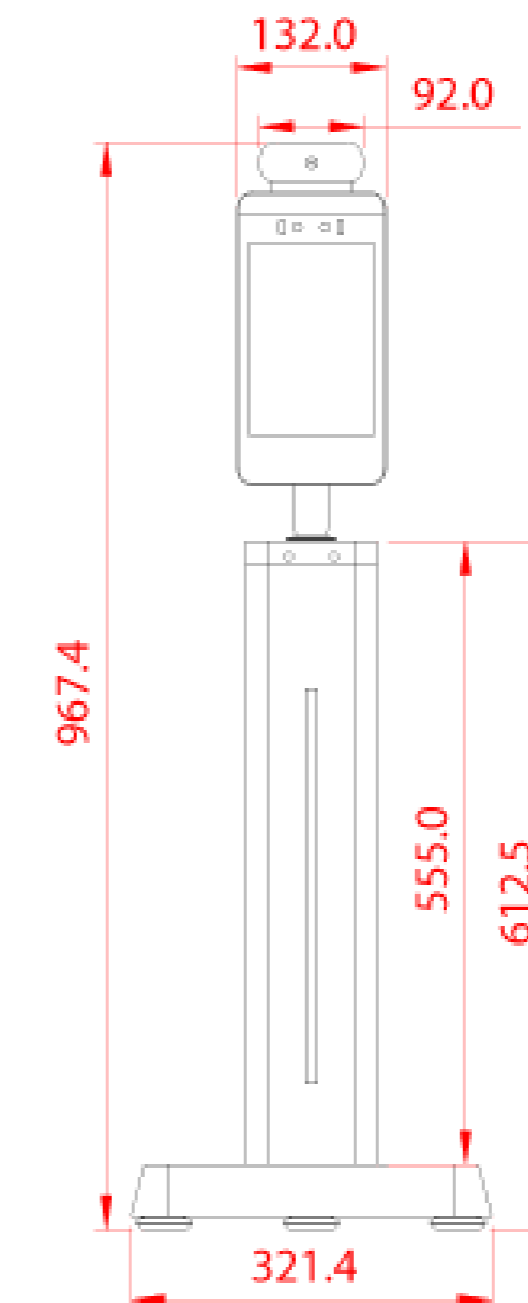
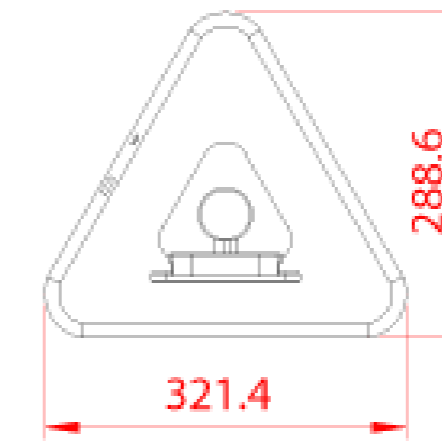
NURIFLEX

Desk stand



NURIFLEX

Floor stand (for child)



NURIFLEX

Entrance (Gate)

After measuring body temperature and identifying the person by face recognition for access control, those data can be sent to central server for use as an electronic attendance



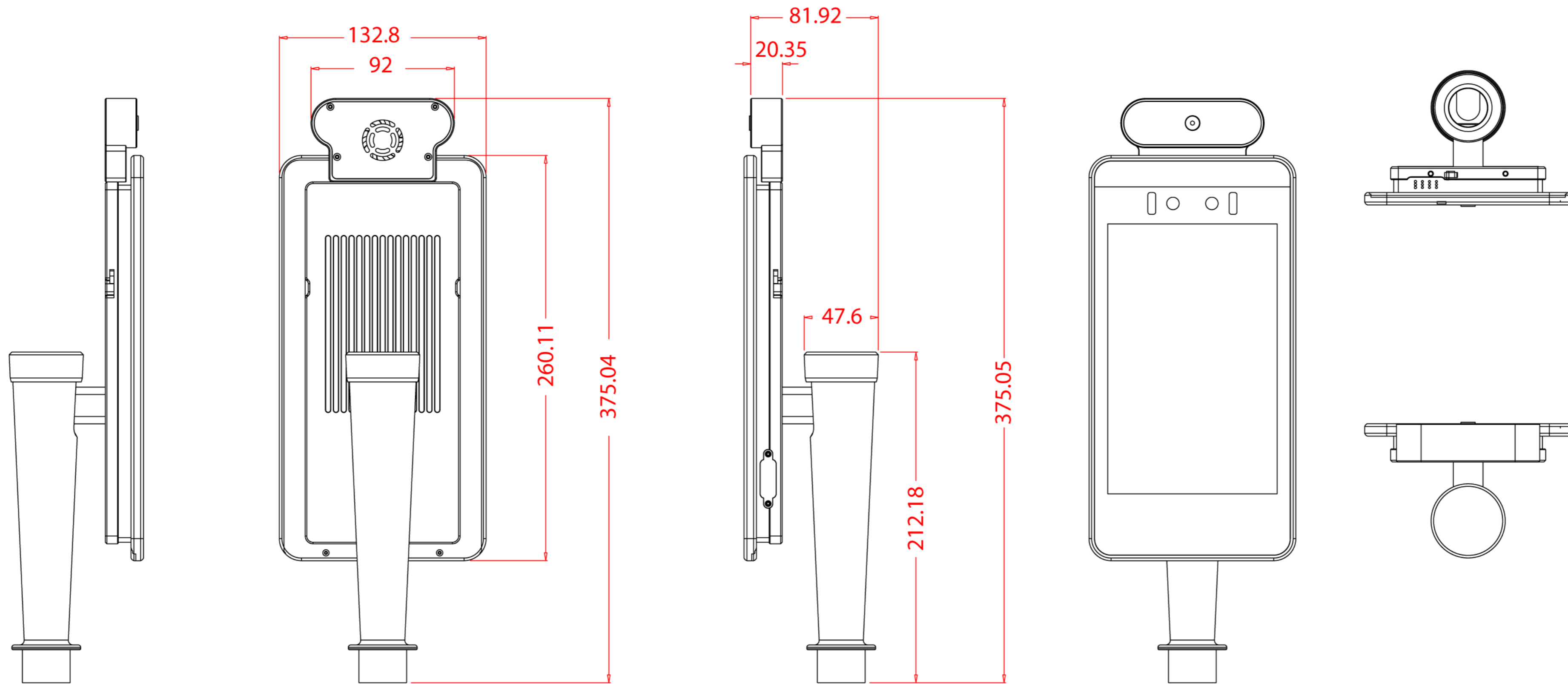
NURIFLEX

Wall mounted

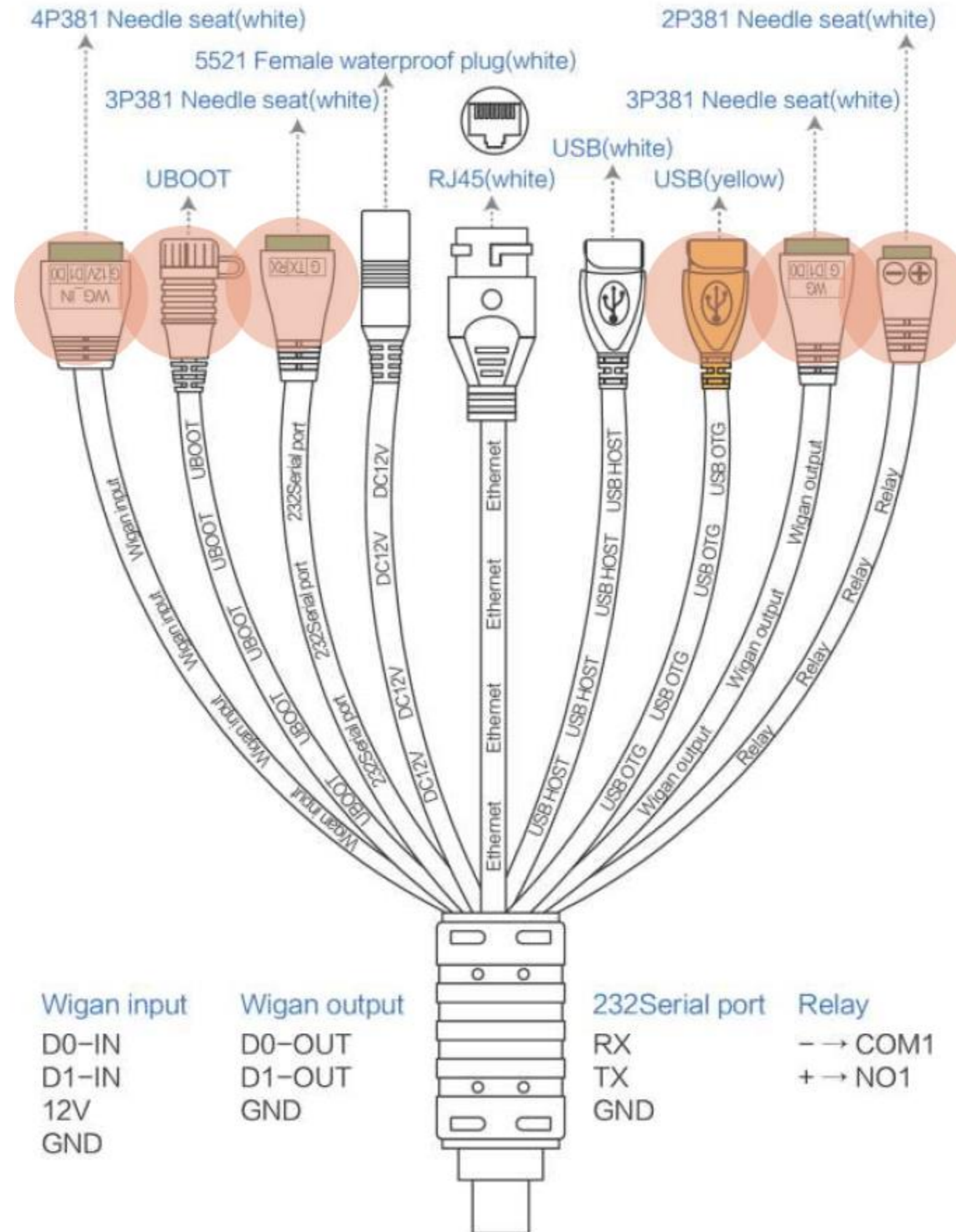


NURIFLEX

Dimension



Various interfaces



NURIFLEX

Specifications

Camera	
Resolution	2 million pixels
Type	Dual wide dynamic camera
Aperture	F2.4
Focusing distance	50-150 cm
White balance	Auto
Photo flood light	LED and IR dual photo flood light
Screen	
Size	8 inch IPS LCD screen
Resolution	800 x 1,280
Processor	
CPU	RK3288 Quad-core (optional, RK3399 6 Core, MSM8953 8 Core)
Storage	EMMC 8G
Audio	2.5W / 4R speaker
USB	USB OTG x 1, USB HOST standard A Type x 1
Serial communication	RS232 serial Port x 1
Relay	1 point contact (2A 30VDC, 0.28A 220VAC)
Wiegand	Wiegand 26/34 output x 1, Wiegand 26/34 input x 1
Upgrade button	Support Uboot upgrade button
Wired network	RJ45 Ethernet socket x 1
Card reader	No (optional, IC card reader, ID card)

Specifications

Function		
Face detection		support
Face library		Up to 30,000
1 : 1 face comparison		support
Stranger detection		support
Distance detection		support
UI interface configuration		support
Remotely upgrade		support
Interface		Device management interface, HR/ photo management, record inquiry
Data management tool support		LAN , Stand-alone, Support for use in conjunction with existing access control systems
Infrared thermal imaging module		
Temperature detection		support
Temperature measurement distance		1 meter (optimal 0.5 meter)
Temperature measurement accuracy		$\leq \pm 0.5^{\circ}\text{C}$
Temperature measurement range		10 $^{\circ}\text{C}$ ~ 42 $^{\circ}\text{C}$ (15 $^{\circ}\text{C}$ ~ 30 $^{\circ}\text{C}$ optimal)
pixel		1024 (32 x 32)
Gate Open when it's normal temperature		support
Abnormal temperature alarm		support (temperature alarm value can be set)

NURIFLEX

Specifications

General	
Power	DC12V (±10%)
Operating temperature	10°C~40°C
Storage temperature	-20°C~60°C
Power consumption	13.5W (Max)
Installation method	Gate bracket, on the wall, floor stand, desk stand installation
Size	296.18*132.88*25 (mm)
Packaging	
Main body * 1, Power adapter* 1, manual * 1	



Distributed by :

NURIFLEX

Tel: +1-604-343-4200

E-mail: smartpass@nuri.ca

www.nuri.ca